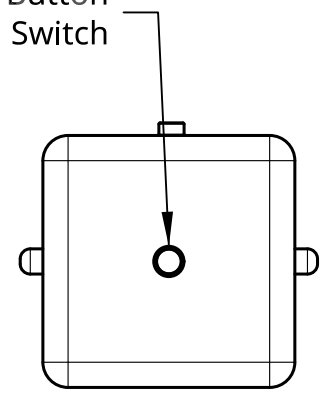
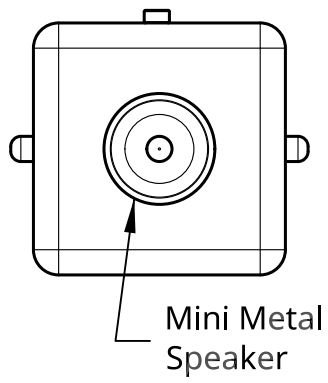
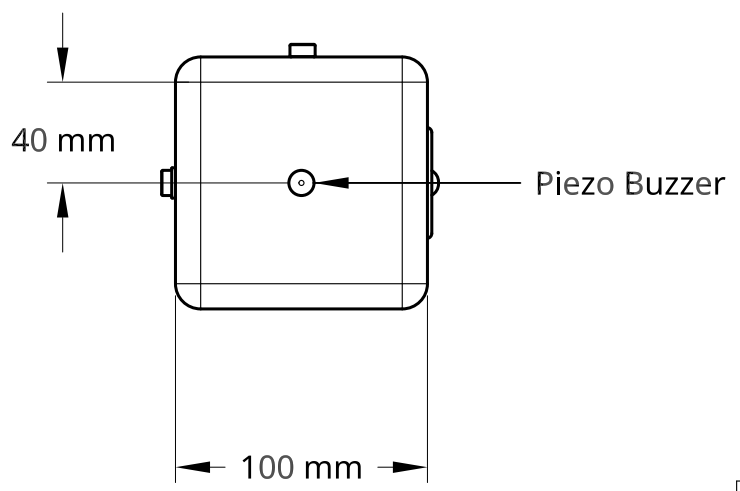
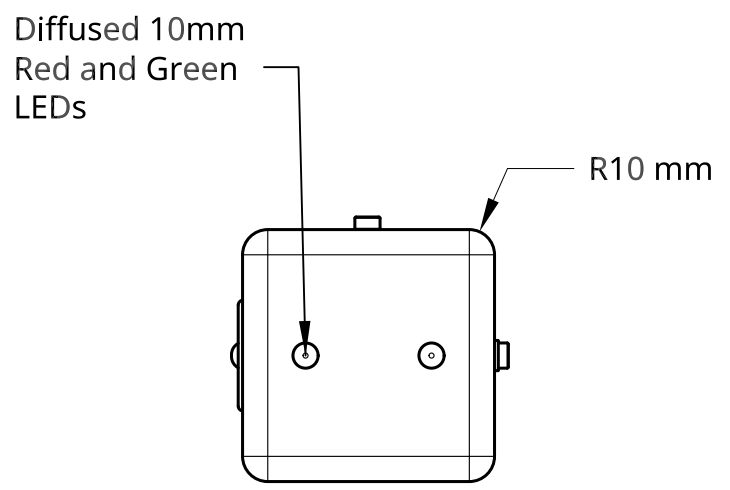
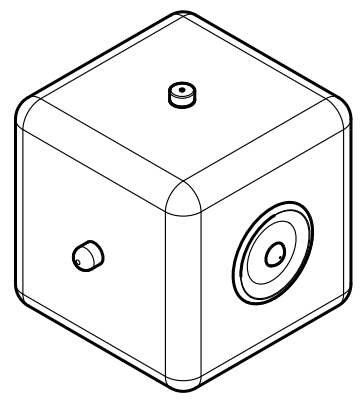
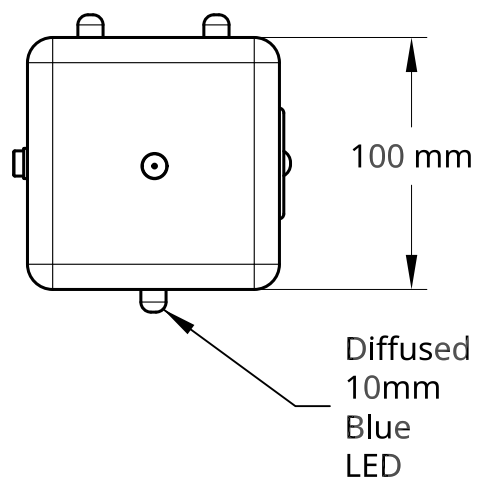


B




B

A

A

2

1

UNLESS OTHERWISE SPECIFIED, DIMENSIONS ARE IN INCHES .XX = ±.0- .XXX = ±.00- .XXXX = ±.000- SURFACE FINISH $\sqrt{\quad}$ DO NOT SCALE DRAWING BREAK ALL SHARP EDGES AND REMOVE BURRS THIRD ANGLE PROJECTION 		NAME	DATE	TITLE Drawing of Crisis Communication Device			
	DRAWN	GHADA AMER	05/13/2020				
					SIZE	DWG NO.	REV.
					A		
	MATERIAL	FINISH		SCALE	WEIGHT	SHEET	
				1:3		1 of 1	